

BLUE RIVER

Condensate drain pan

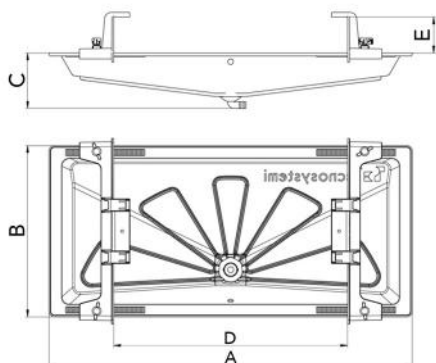
11100100F - 11100101F - SCD300030



CARATTERISTICHE TECNICHE:

- Realizzata in plastica ABS + PMMA color avorio
- Staffe di fissaggio regolabili in PA6
- Attacco per tubo scarico condensa \varnothing 16 mm

DIMENSIONS



CODE	A [mm]	B [mm]	C [mm]	D [mm]	E [mm]
11100100F	850	400	130	320 + 680	85
11100101F	1050	400	125	330 + 885	85
SCD300030	1250	500	100	565 + 1125	85

ITEMS

CODE	DESCRIPTION
11100100F	"BLUE RIVER" DRAIN PAN IN PMMA W/TELESCOPIC BRACKETS & BLOCKING RACK (850X400 mm)
11100101F	"BLUE RIVER" DRAIN PAN IN PMMA W/TELESCOPIC BRACKETS & BLOCKING RACK (1050x400 mm)
SCD300030	"BLUE RIVER" DRAIN PAN IN PMMA W/TELESCOPIC BRACKETS & BLOCKING RACK (1250x500 mm)