



Product: FrameFoot MINI

Code: FF-1250-Mono

Group:  **FrameFoot™**

Supporting system for heat pumps and condensers

Application:

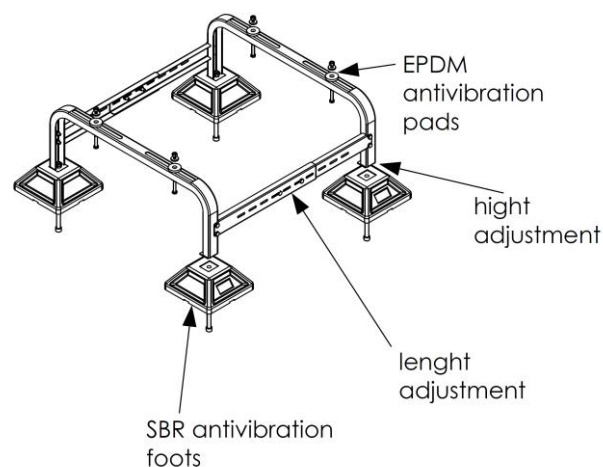
Compact antivibration support of the heat pumps and condensers located on the ground or flat roofs with max slope 5%.

Description:

- For the units with max dimensions 1250 x 520 mm (width x depth)
- Height adjustment 330 up to 370 mm with M12 screw
- Horizontal bracket allows smooth width regulation from 690 up to 1250 mm
- Max load capacity: 450 kg

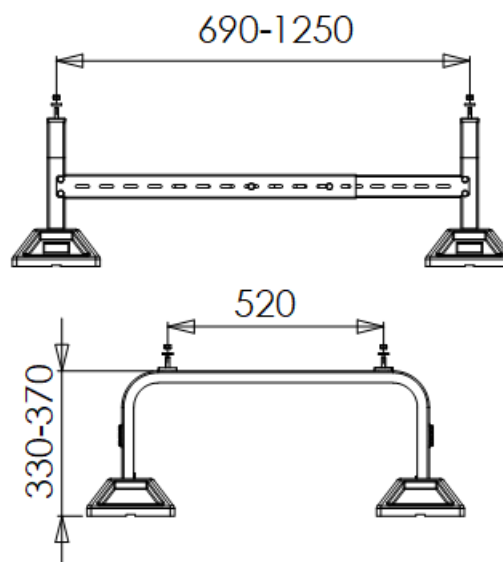


- Rubber feet and pads very effectively reduces the noise caused by vibrations
- Anti-corrosion protection of the frame and INOX fasteners ensure long-lasting protection and aesthetics



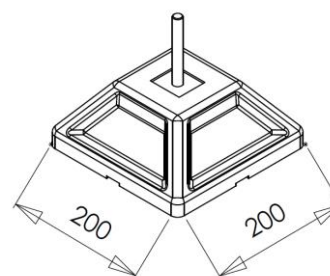
The Frame:

- Galvanized and powder coated steel, paint in RAL 7021 – other colors on request
- Manufactures according the standard: EN 1993-4-2:2009, EN 10025
- All fasteners and screws made of stainless steel and hot-dip galvanized steel

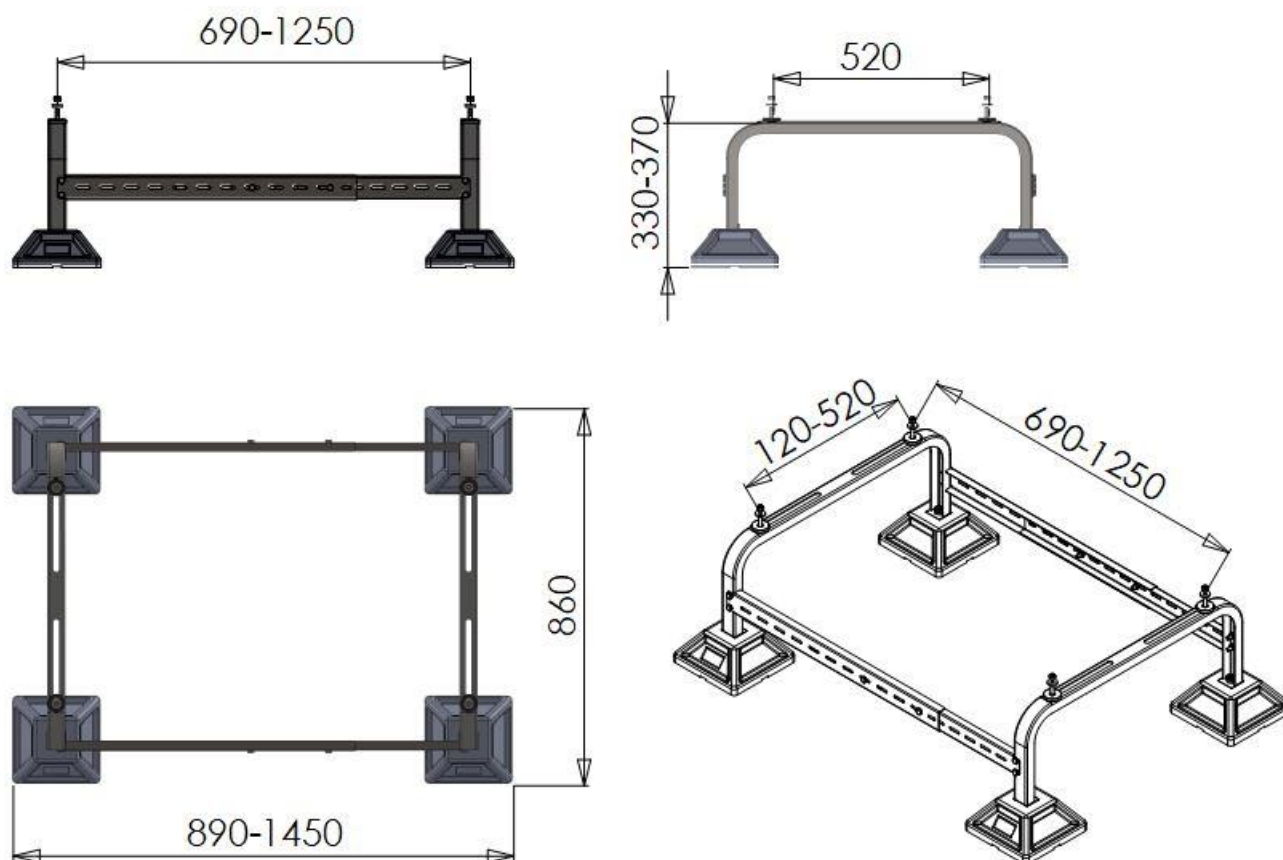


The foot:

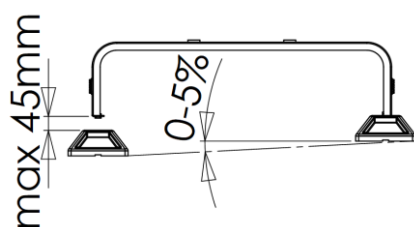
- SBR feet with steel insert
- Size 200x200 mm
- UV resistant
- Color: black
- Working temperature: - 40°C - 80°C
- Load capacity: 150 kg / foot



Dimensions:



Allows installation on the sloped surface up to 5%:



See also:

Rubber blocks



Frame Foot



Castel Engineering Polska Sp. z o.o., Tomaszowice Kol.126, 21-002 Tomaszowice, Poland Tel +48 81 503 28 22 – Fax. +48 81 503 15 55,
biuro@castel-engineering.com Copyright © 2013 Castel Engineering Polska– All rights reserved

Registered design No 008498448-0001

EN: Frame Foot® products are products only for professionals

All Frame Foot® products must be installed according to the instructions of the roof contracting specialists.

If Frame Foot® systems are installed on PVC membranes (or similar), it is the installer's entire responsibility to contact the manufacturer of the PVC membrane to gather the necessary information about possible tendencies for migration of plasticizers when in contact with rubber to take specific preventive measures into account for the installation in order to guarantee that the quality of the roofing is not affected.