

DATASHEET

OPTIMA T standard duct

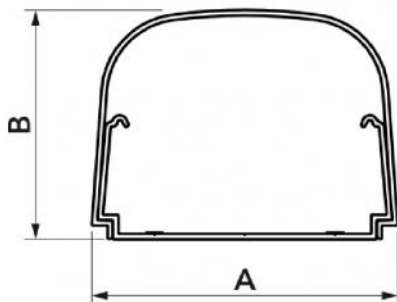
COD. SCD100136 - 11130062 - 11130075 - 11130100 - SCD100123



TECHNICAL SPECIFICATIONS:

- Stiff, shockproof, anti-UVA PVC, white, recyclable
- Sharp-edged bottom
- Pre-punched slots for wall mounting
- Ready for insertion of mini pumps Easy Flow, Easy One, Aqua Split (size 75 only)
- Central closure with patented accidental anti-release
- Rounded cover
- Bar length 2 m
- Paintable
- Operating temperature -20°C / +60°C

DIMENSIONS



CODE	MODEL	A [mm]	B [mm]
SCD100136	T 35 - OPT	32	28
11130062	T 62 - OPT	62	46
11130075	T 75 - OPT	74	56
11130100	T 102 - OPT	100	66
SCD100123	T 135 - OPT	135	82

## ITEMS

CODE	DESCRIPTION
SCD100136	T35 -OPT - "OPTIMA T" T35 TRUNKING - 2 mt. long
11130062	T62 -OPT - "OPTIMA T" T62 TRUNKING - 2 mt. long
11130075	T75 -OPT - "OPTIMA T" T75 LINE TRUNKING - 2 mt. long
11130100	T102 -OPT - "OPTIMA T" T102 LINE TRUNKING - 2 mt. long
SCD100123	T135 -OPT - "OPTIMA T" T135 LINE TRUNKING - 2 mt. long

**Tecnosystemi S.p.A. - Società Benefit**  
via dell'Industria, 2/4 - Z.I. San Giacomo di Veglia 31029  
Vittorio Veneto (Treviso) - Italia  
Tel +39 0438.500044 - Fax +39 0438.501516  
email: [info@tecnosystemi.com](mailto:info@tecnosystemi.com)

Numero Verde  
**800 904474** ONLY FOR ITALY

C.F. - P. IVA - R.I.TV IT02535780247 Cap. Soc. € 5.000.000,00 i.v.

DATASHEET - OPTIMA T standard duct



Tecnosystemi®  
group



[www.tecnosystemi.com](http://www.tecnosystemi.com)